

Detector for continuous and remote monitoring of CO₂ concentration in premises

The CO₂ concentrations (from 0 to 5%) can be consulted in real time and remotely with the remote management Teleswin software of the refrigeration installation.

The CO₂ alarms are transmitted by the remote management of the refrigeration installation. The CO₂ concentration curves are recorded and can be visualized with TelesWin.

Connection via local RS485 bus to the existing Digitel DC24D or DC24DE controllers for the cold rooms or the compressor plant (no additional modules required). Power supply 24 VDC.
Also available for measuring the concentration of other gases (O₂, N₂ etc).



APPLICATIONS

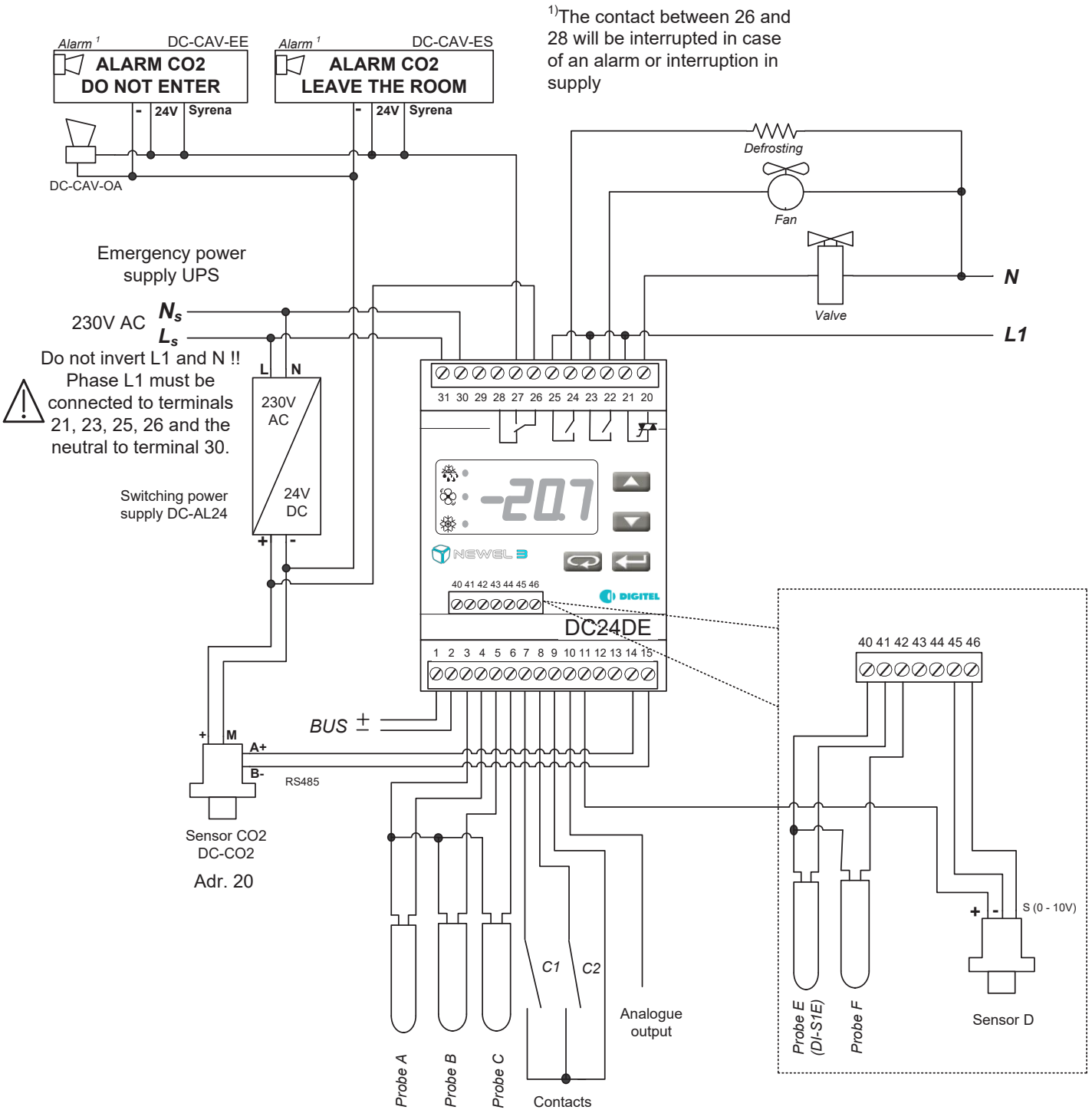
Transcritical CO ₂	yes
Fruit and vegetable warehouse	yes
Gas concentration	yes

TECHNICAL DATA

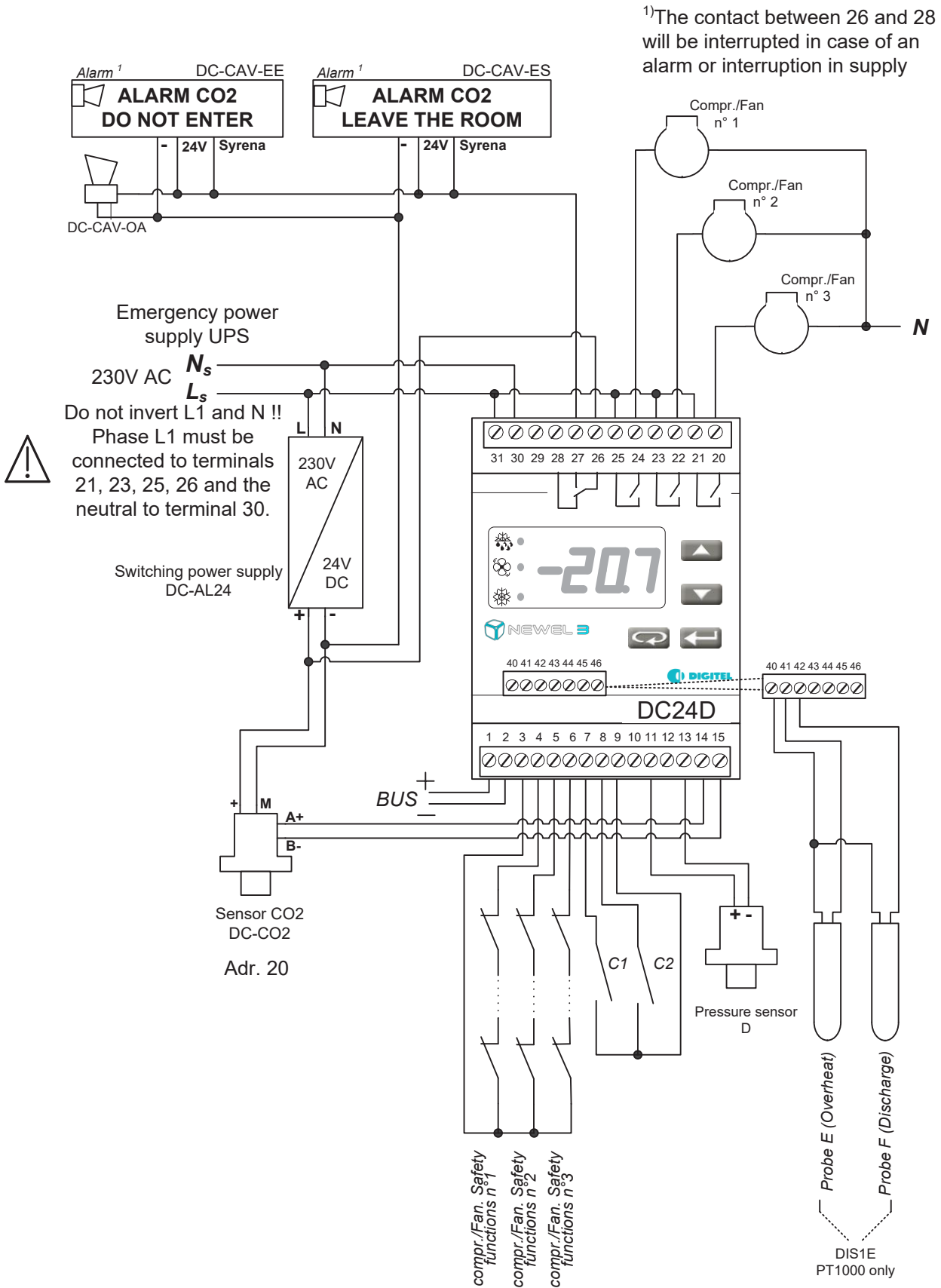
Power supply	24 VDC
Measuring range of CO ₂	0 to 5%
Accuracy	-
Output signal	Communication bus RS485

ASSEMBLY DIAGRAMS

CO2 monitoring and cold room control with DC24DE

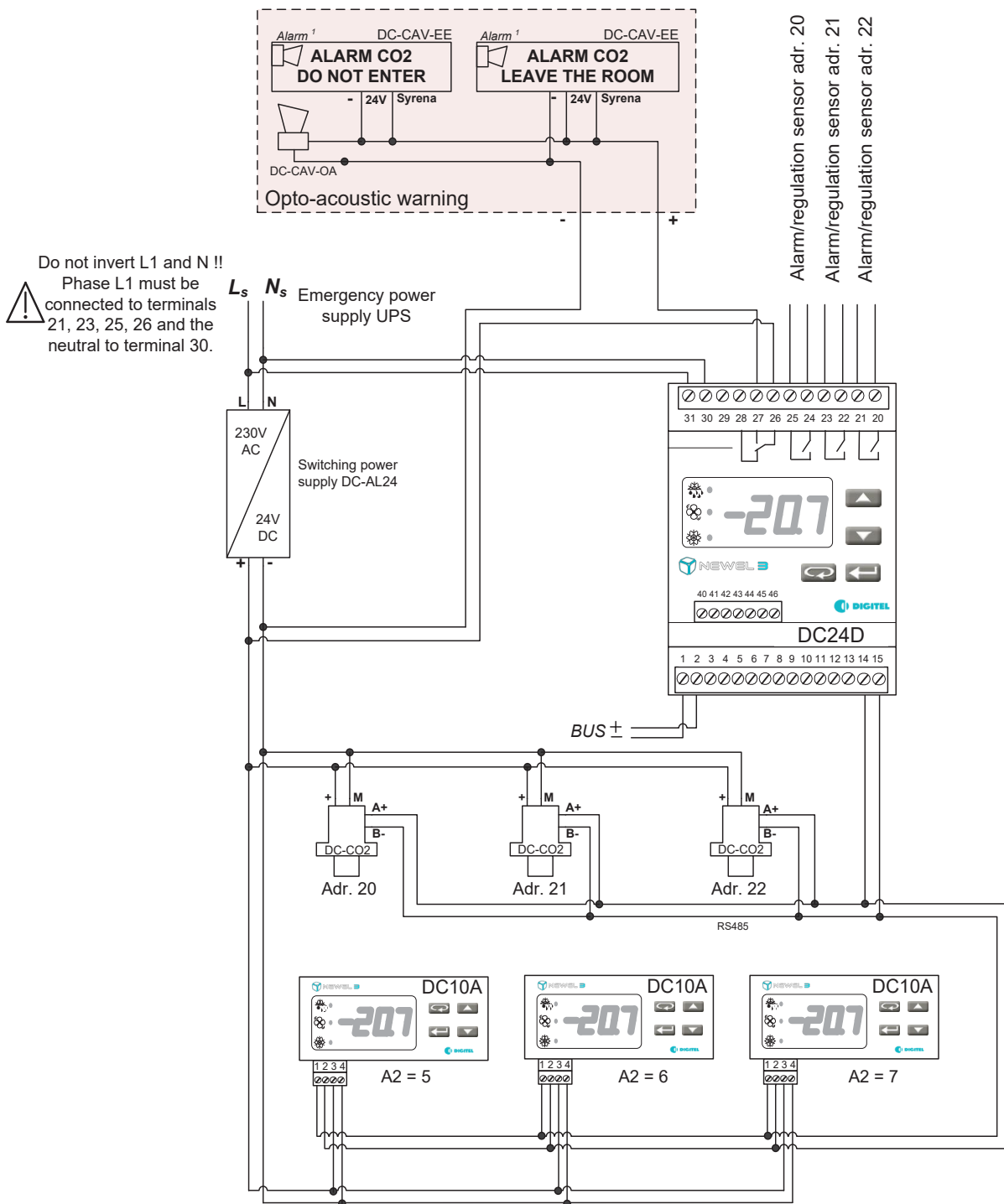


CO2 monitoring and compressor control with DC24D



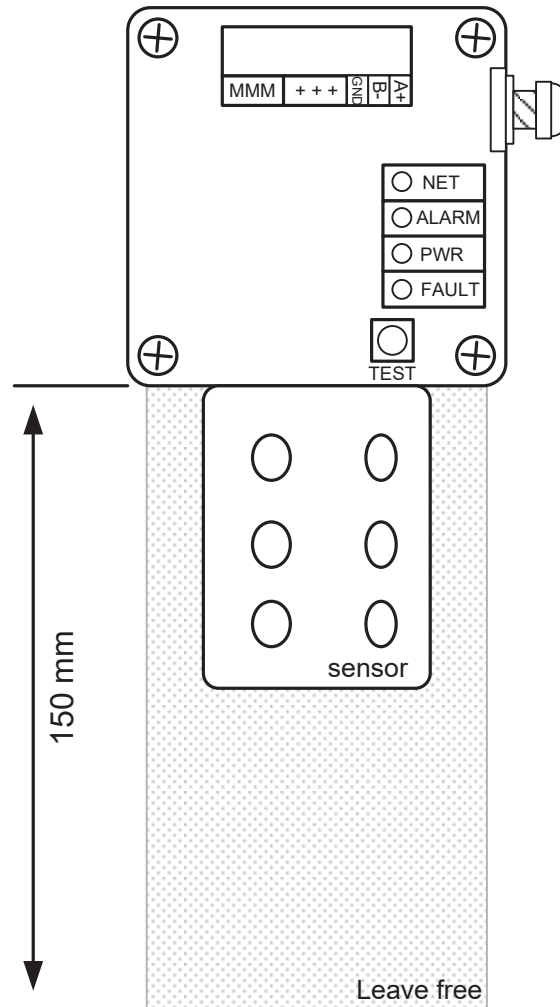
v1.0 / 25.10.16

CO2 monitoring of three areas with three detectors



Installation of the DC-CO2 detector

The detector should be mounted approx. 50cm from the floor with the sensor facing downwards. For ease of maintenance, it is advisable to leave a free space below the sensor.



About us

Digitel provides high-end control, monitoring and remote management solutions for installations requiring a high degree of performance: refrigeration, heat recovery, controlled atmosphere chamber, growth chamber or special and customized installations.

Digitel SA
Route de Montheron 12
1053 Cugy, Suisse

T: +41 21 731 07 60
E : info@digitel.swiss

www.digitel.swiss