

# DC24EL-1



## Panel-mounting controller for refrigerated cabinets

IP65 enclosure, display, 230 VAC power supply, 4 relays, 5 PT 1000 inputs, 2 digital inputs, bus interface, clock, plug-in terminals.

The DC24EL-1 module is a controller that performs the measuring, monitoring and control functions for refrigerated cabinets or cold rooms (MT and LT refrigeration) with thermostatic expansion valves.

The module can be mounted in the front of a cabinet or integrated in a display case.

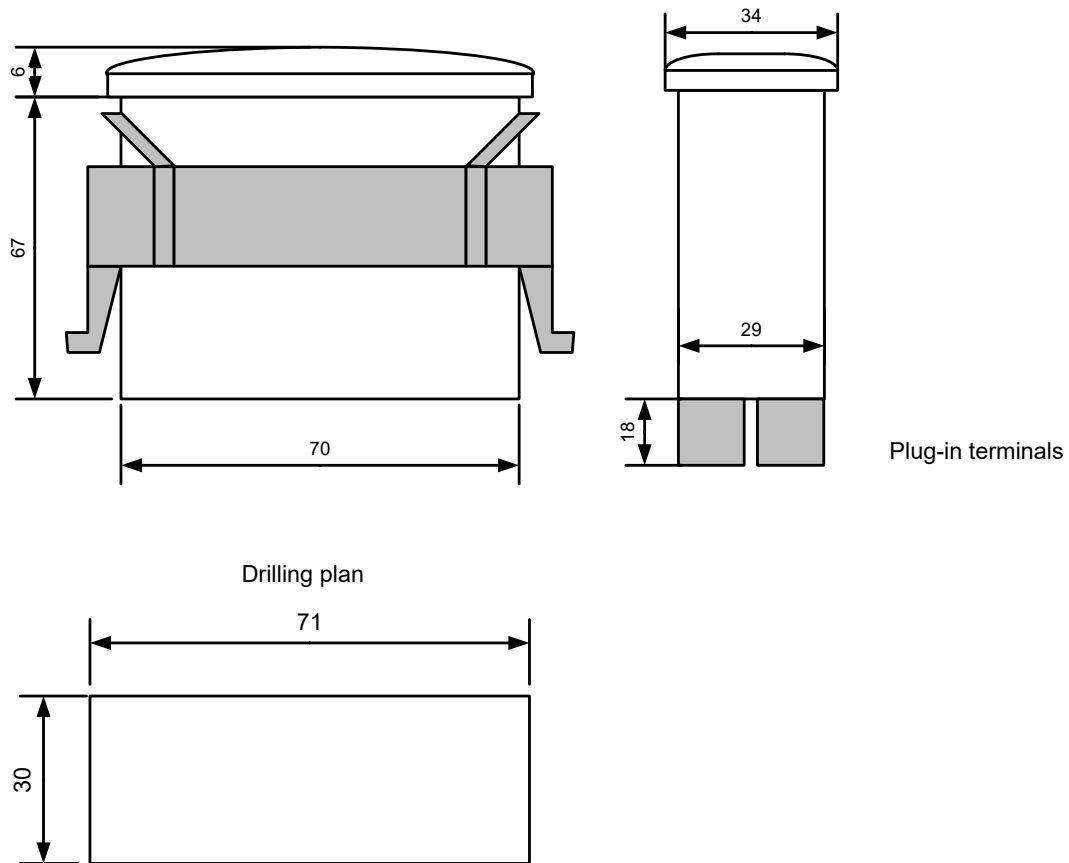
The DC24EL-1 module can be programmed using the Teleswin supervision software or directly via the buttons on the front of the unit. The integrated display shows the values measured by the connected sensors and is used for parameter programming.



## APPLICATIONS

Medium temperature refrigerated cabinets	yes
Low temperature refrigerated cabinets	yes

## DIMENSIONS



## FEATURES

### Inputs

PT 1000	5 (also compatible with the probes: NTC 10K/25°C, L.243, KTY81)
0-10 V	no
4-20 mA	no
Digital	2

### Outputs

Relays	4
Analogue	no

### Others

White display	yes
Power supply	230 VAC
Remote monitoring bus interface	yes
Clock	yes
Electronic expansion valve	no
Local bus for extensions	no

## TECHNICAL DATA

### Power supply

Supply voltage 110-250 VAC, 50-60 Hz

Maximum input power 3 W

Protection rating 1

Contamination rating 2

Overvoltage category II

### Conditions of use

Temperature 0-40° C

Humidity IP65 enclosure, 0-80 % (without condensation)

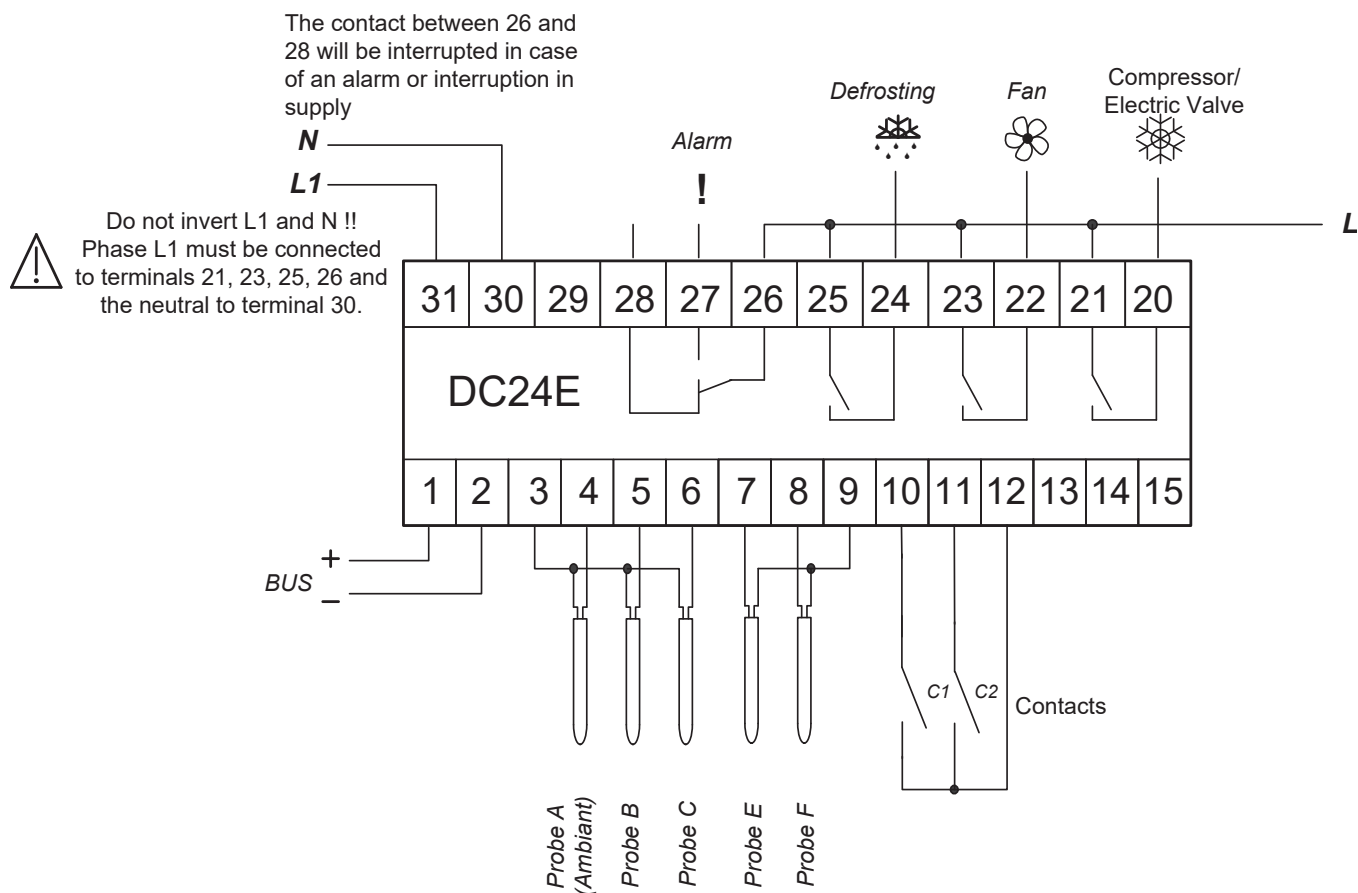
Breaking capacity of relays outputs inductive load 3 A 250 VAC, resistive load 8 A 250 VAC

Clock – reserve operating margin 4 days

Input 0-10 V measurement range : 0-10 V

## ASSEMBLY DIAGRAMS

### DC24EL1 in refrigerated unit control mode



#### About us

Digitel provides high-end control, monitoring and remote management solutions for installations requiring a high degree of performance: refrigeration, heat recovery, controlled atmosphere chamber, growth chamber or special and customized installations.

Digitel SA  
Route de Montheron 12  
1053 Cugy, Suisse

T: +41 21 731 07 60  
E : info@digitel.swiss

[www.digitel.swiss](http://www.digitel.swiss)