

# DC58-2



## Central monitoring unit, 64 satellite version

DIN rail housing, 230 VAC power supply, 1 communication bus, micro SD card, LAN/Ethernet connection. For the connection of up to 64 satellites.

The DC58 central unit enables the Digitel control system to be connected to a remote management and supervision network, using the Teleswin software.

The Teleswin software allows the user to obtain all the data on the current status of the installation (temperatures, humidity, status of inputs and outputs, etc.). It is also possible to remotely modify all the parameters, to manage alarms or to control functions (such as a forced defrosting cycle, the stop or forced operation of a station).

The central monitoring unit is equipped with a memory card and can also store all important system data periodically. The recording frequency is programmable.

The DC58 central unit is mounted on DIN rails.



## APPLICATIONS

Remote management of the installation	yes
---------------------------------------	-----

## FEATURES

Communication bus RS485	1 bus, galvanically isolated
Data backup	micro SD card
Satellite connection	64
Power supply	230 VAC
Clock	yes

## TECHNICAL DATA

### Power supply

Supply voltage 110-250 VAC, 50-60 Hz

Maximum input power -

Protection rating 1

Contamination rating 2

Overvoltage category II

### Conditions of use

Temperature 0-40° C

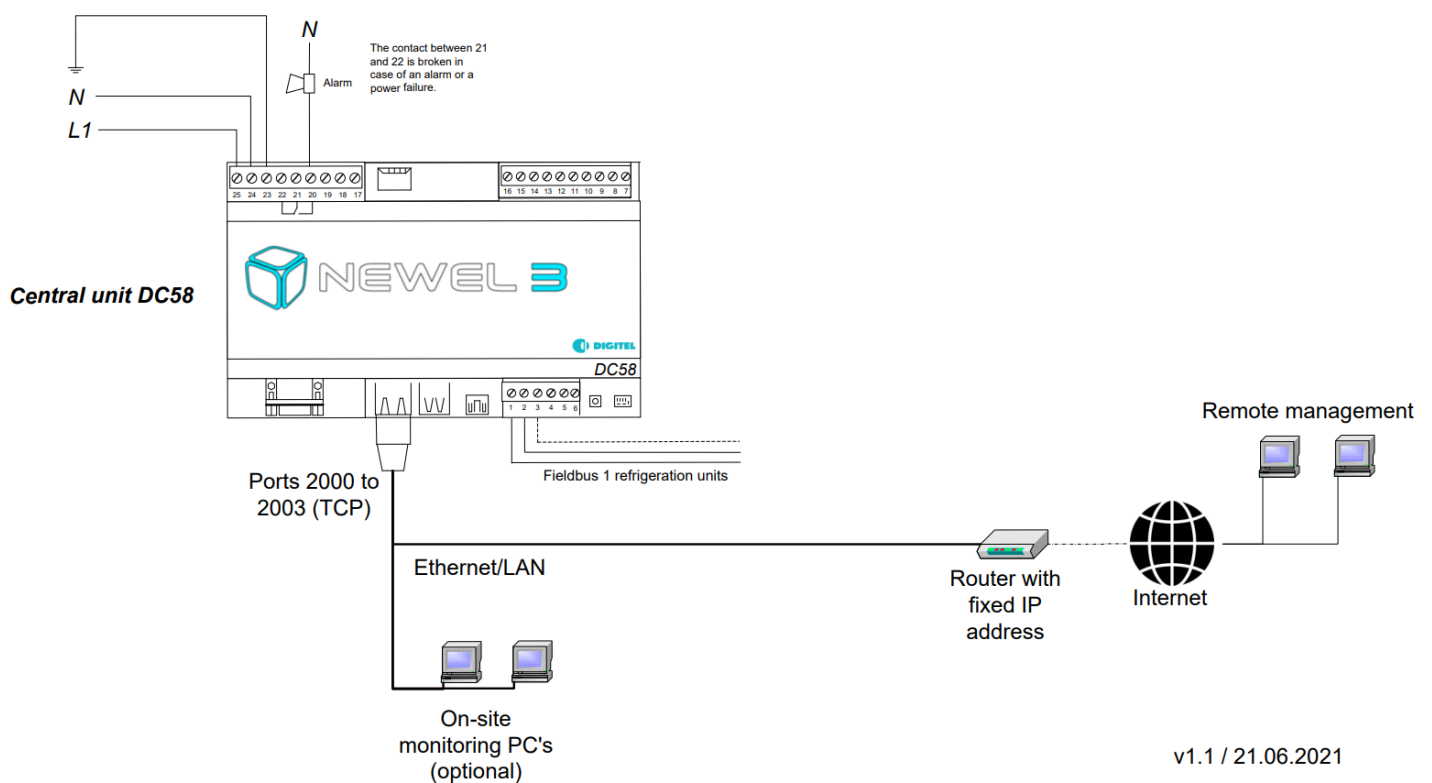
Humidity 0-80% (without condensation)

Switching capacity of the relay outputs inductive 6 A 250 VAC, resistive 10 A 250 VAC

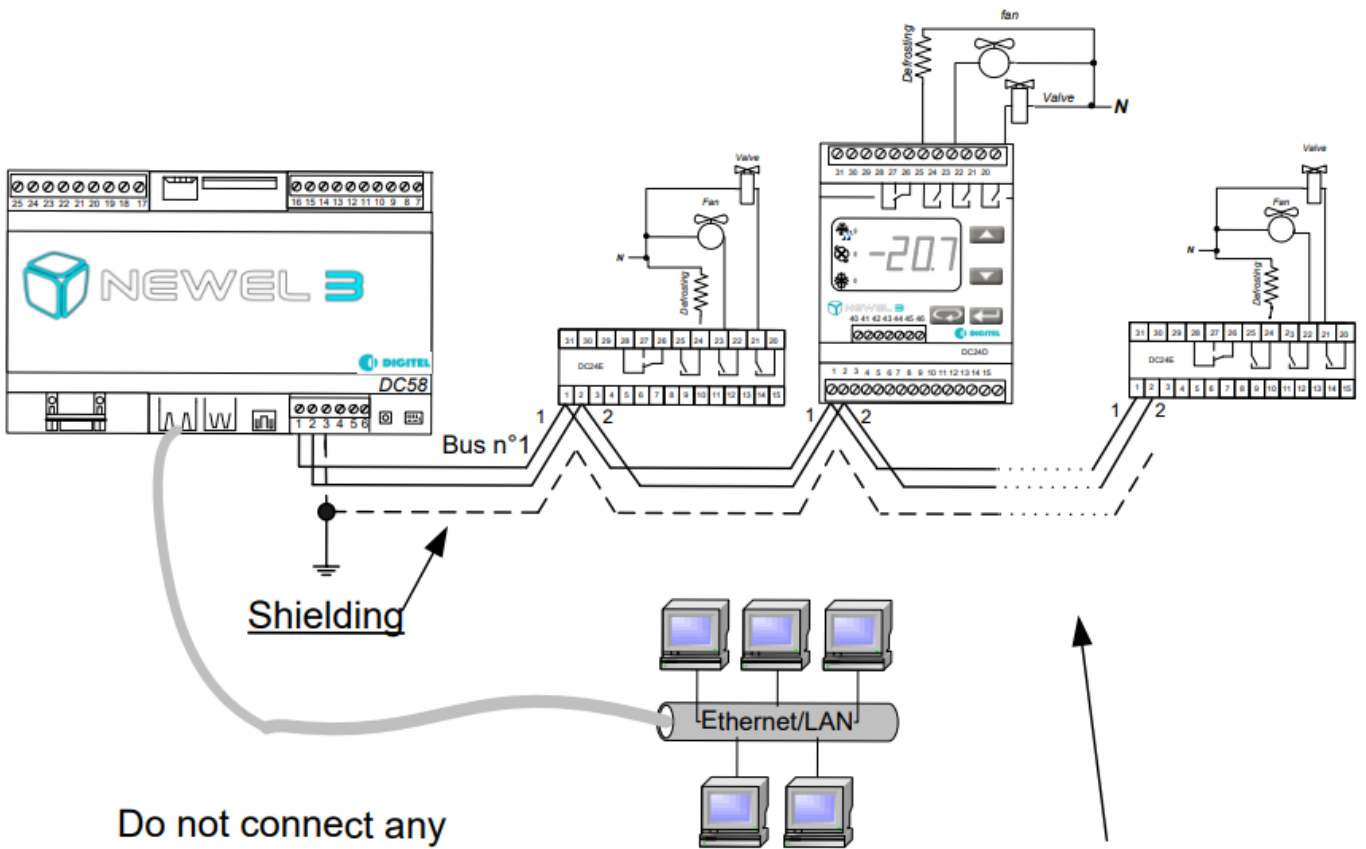
Clock – reserve operating margin 4 days

## ASSEMBLY DIAGRAMS

### DC58-2 in remote management mode



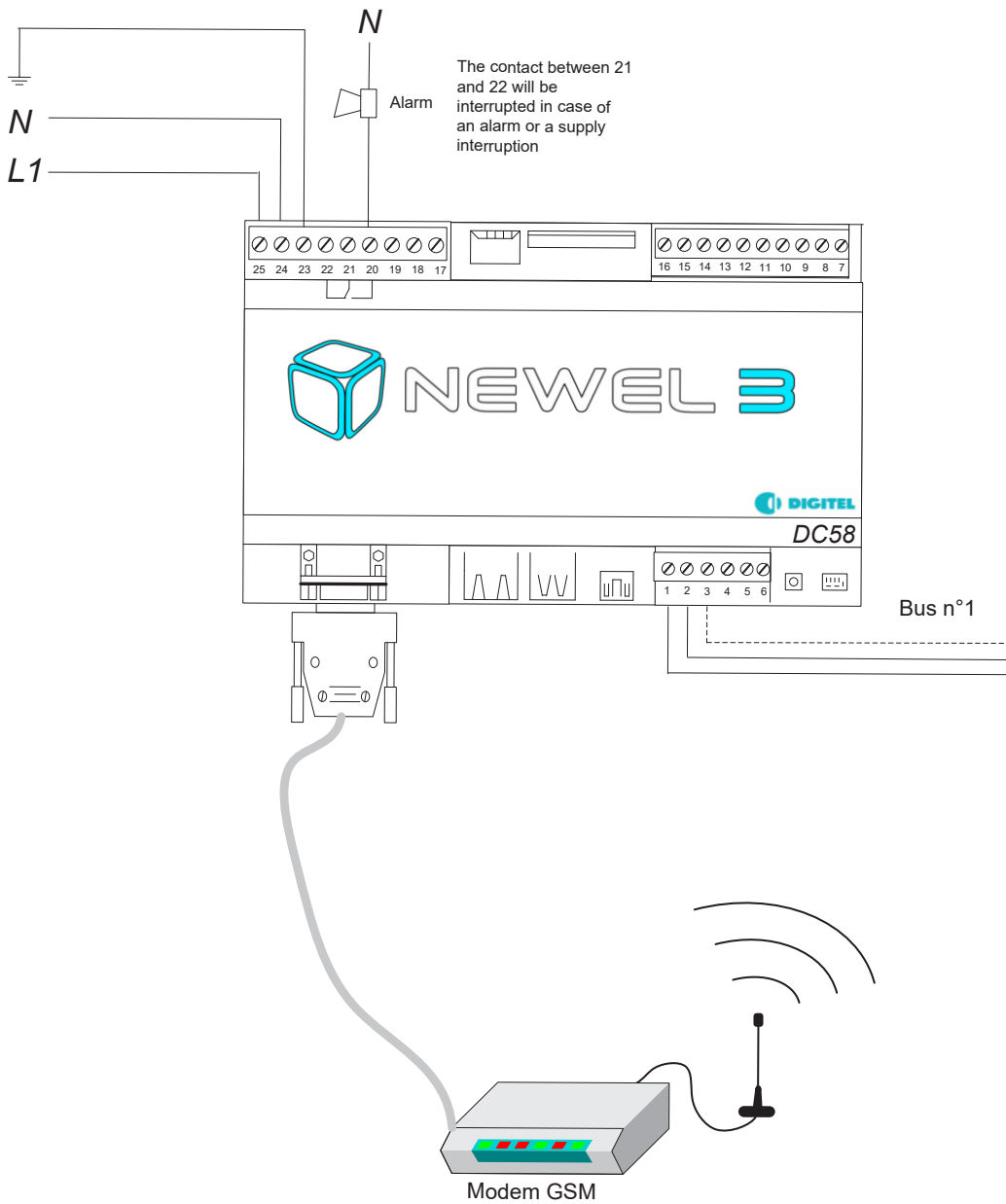
## Connection of controllers



Do not connect any  
resistance on the BUS!

Type of cable :  
CAT5 S-FTP or special  
cable for aRS485 bus.  
Only a single pair of  
twisted conductors  
should be used. Any  
other connectors should  
be left unconnected

## Email / SMS alarm



### About us

Digitel provides high-end control, monitoring and remote management solutions for installations requiring a high degree of performance: refrigeration, heat recovery, controlled atmosphere chamber, growth chamber or special and customized installations.

Digitel SA  
Route de Montheron 12  
1053 Cugy, Suisse

T: +41 21 731 07 60  
E : info@digitel.swiss

[www.digitel.swiss](http://www.digitel.swiss)