

## Alarm warning system

Particularly suitable for gas leakage alarm warnings in CO<sub>2</sub> refrigeration systems. Compatible with Digitel DC-CO<sub>2</sub> and DC-CO<sub>2</sub>L detectors.

### DC-CAV-XX:

Opto-acoustic sign with text (e.g. “leave the room” and “do not enter”) available in several languages (FR, DE, PL) and 70dB power at 1m.

### DC-CAV-OA:

Opto-acoustic siren with programmable power of 90 or 120dB at 1m.

## APPLICATIONS

Transcritical CO <sub>2</sub>	yes
Gas concentration	yes

## TECHNICAL DATA

### Warning sign DC-CAV-XX:

Power supply	24 VDC
Max Current	100mA
Text (to be specified when ordering)	Max 2 lines (20 characters per line)
Integrated siren	Power 70dB at 1m

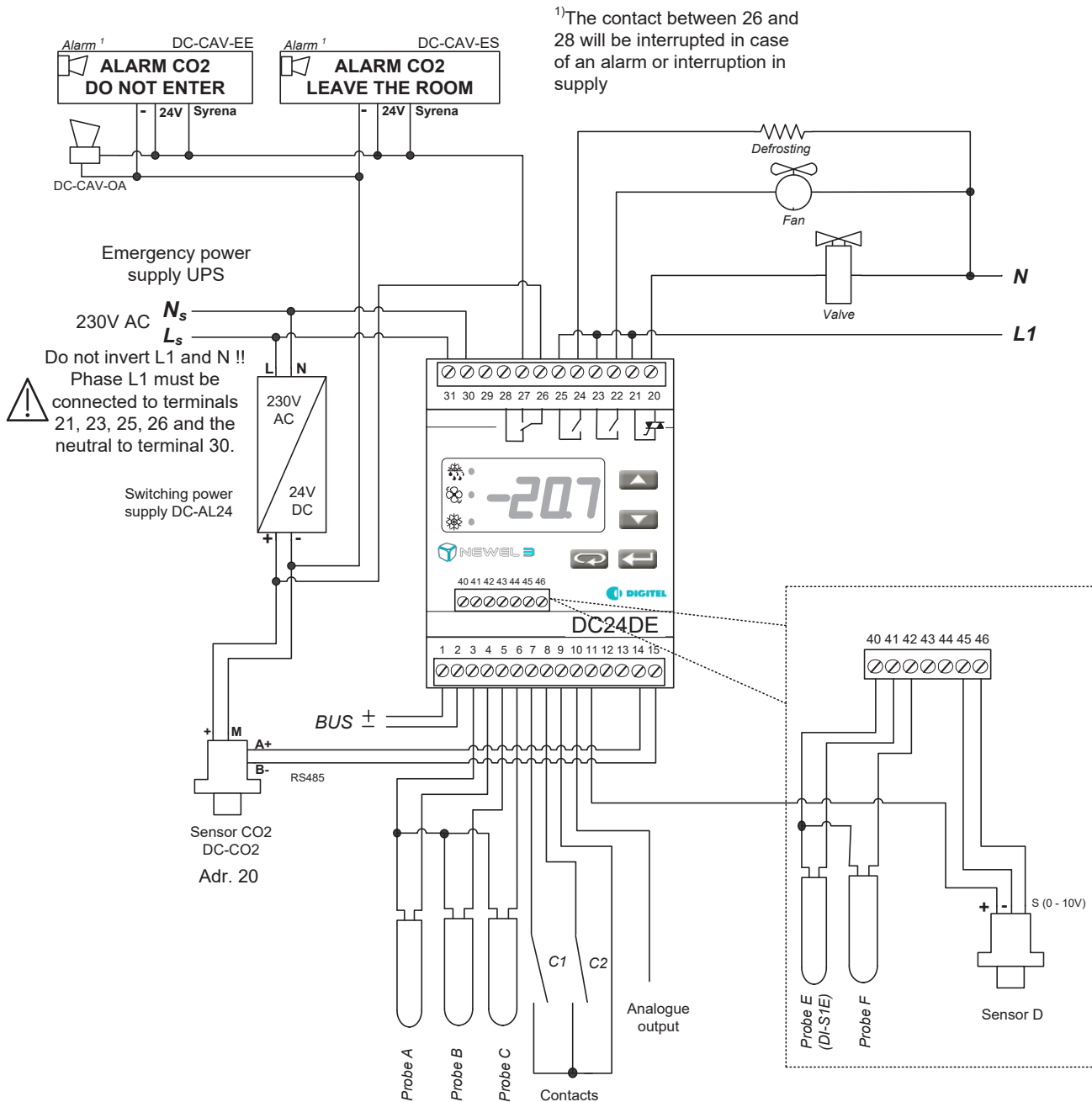
### Opto-acoustic siren DC-CAV-OA:

Power supply	24 VDC
Max Current	50mA
Power	90 or 120dB at 1m (programmable)

# ASSEMBLY DIAGRAMS

## CO2 detection - cold room

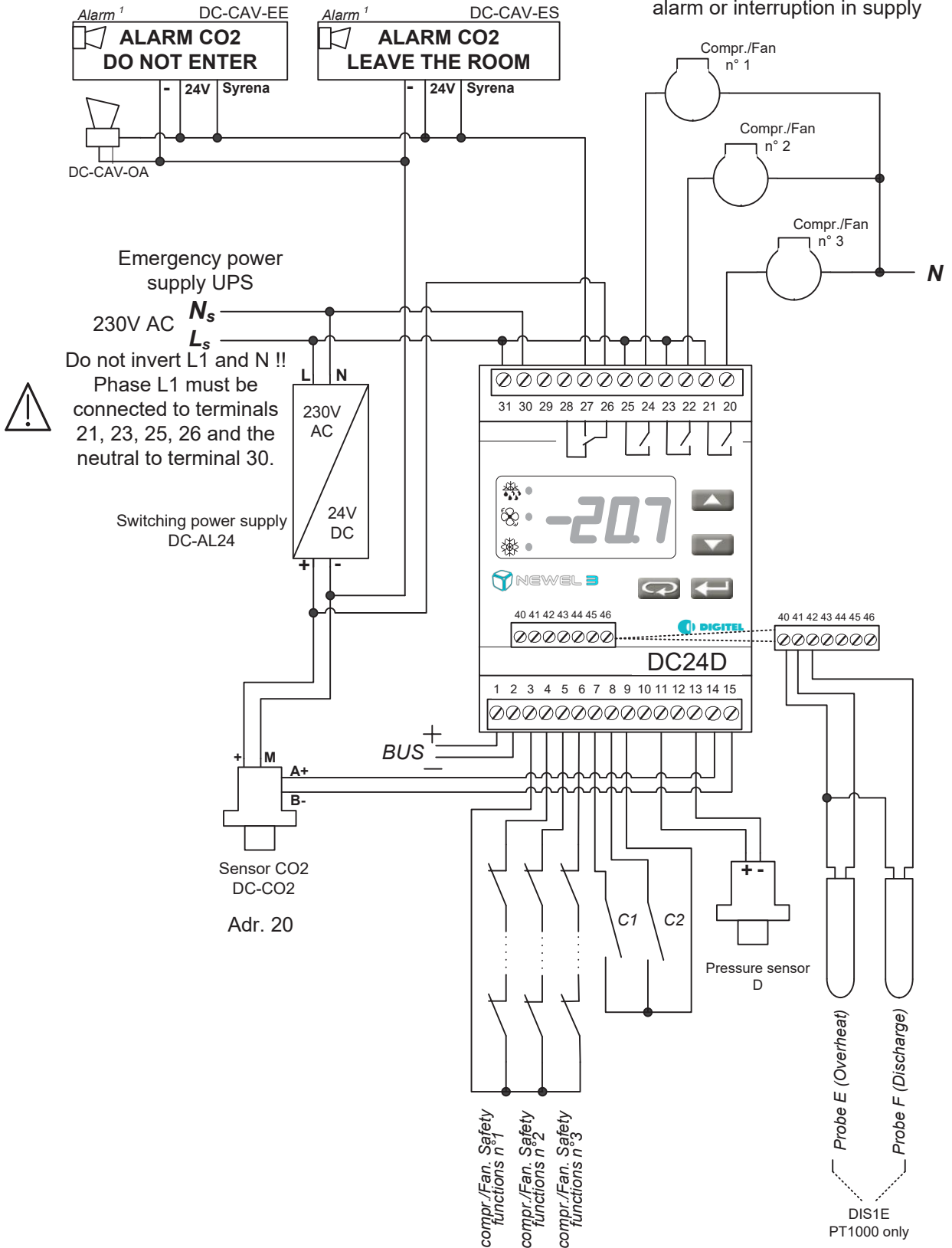
In the event of a power failure, CO2 monitoring is ensured by an emergency power supply. Outputs 26, 27 can be used to power DC-CAV-XX warning signs and DC-CAV-OA sirens.



# CO2 monitoring - compressor room

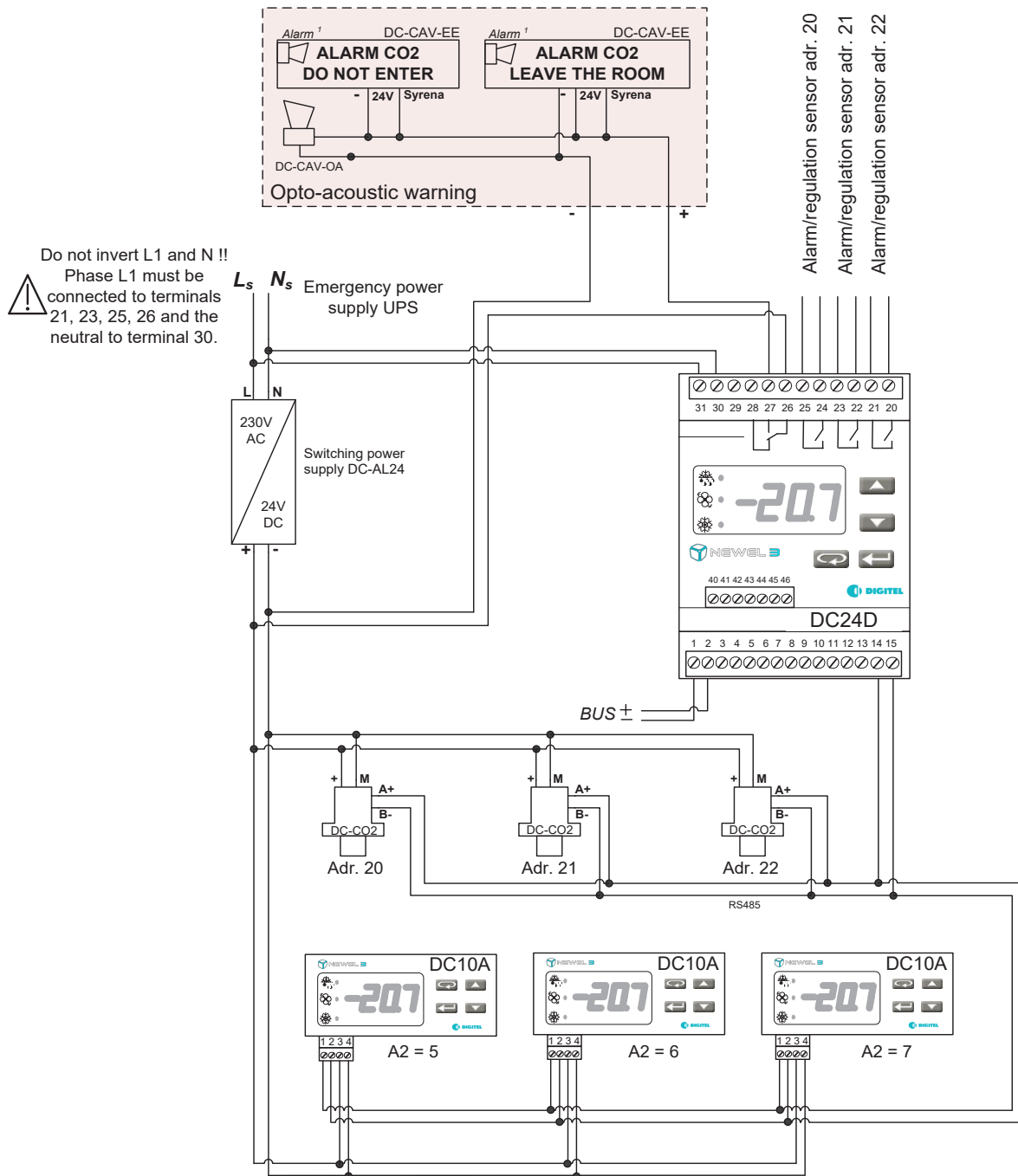
The machine room can be monitored by controlling the compressors with the connections shown in the following diagram.

<sup>1)</sup>The contact between 26 and 28 will be interrupted in case of an alarm or interruption in supply



# CO2 monitoring - Several CO2 measurement points

In operating mode 3, the DC24D/DE modules allow the connection of several CO2 sensors (maximum 3).



## About us

Digitel provides high-end control, monitoring and remote management solutions for installations requiring a high degree of performance: refrigeration, heat recovery, controlled atmosphere chamber, growth chamber or special and customized installations.

Digitel SA  
Route de Montheron 12  
1053 Cugy, Suisse

T: +41 21 731 07 60  
E : info@digitel.swiss

[www.digitel.swiss](http://www.digitel.swiss)