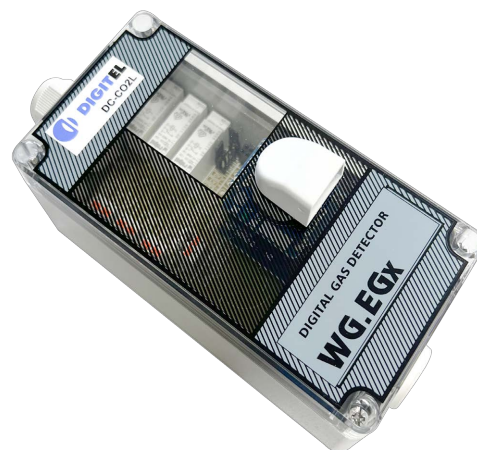


## Autonomous detector with threshold for CO2 monitoring in premises

The DC-CO2L detector is independent of any control system and operates autonomously once it has been supplied with 230 VAC. The alarm threshold is fixed and preset at 1.5% CO2. The alarm is signaled by an integrated audible alarm which is triggered when the threshold is crossed. Possibility to add a flashing light or warning signs.

The CO2 alarm can be transmitted to Digitel's Teleswin remote control via a controller (e.g. DC24D or DC24DE).

The DC-CO2L is suitable for refrigeration systems where the precise CO2 concentration does not need to be known, but only the 1.5% CO2 threshold needs to be reported. If the CO2 concentration has to be measured, we recommend the DC-CO2 sensor.



## APPLICATIONS

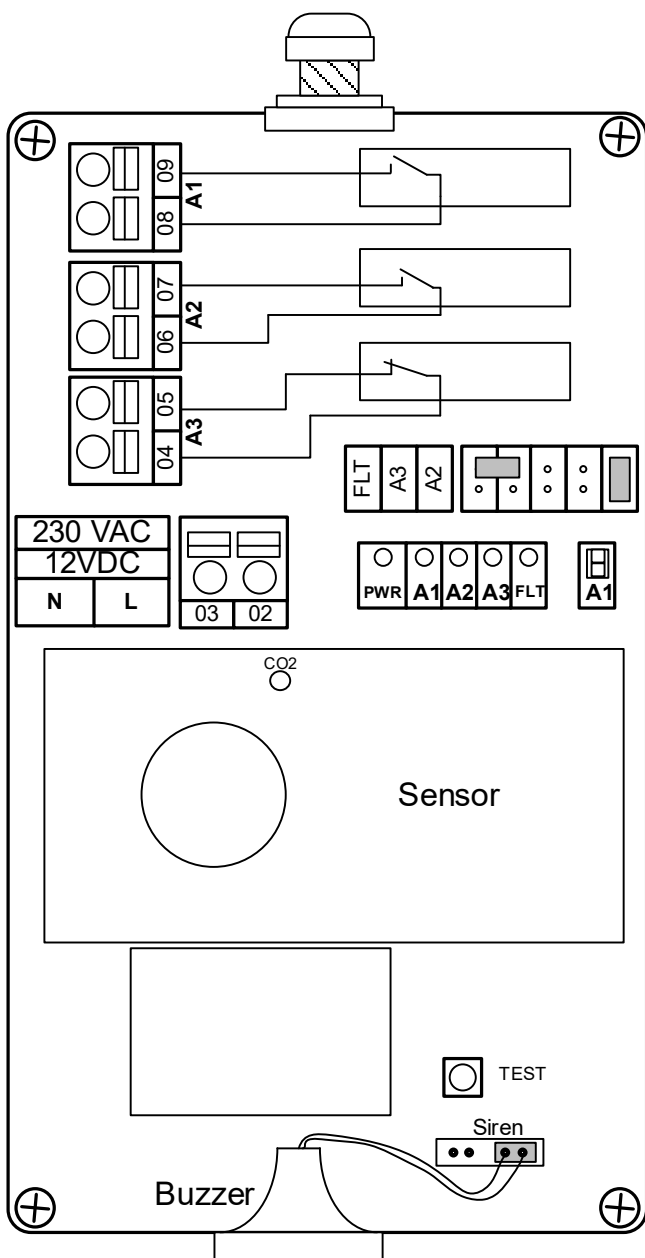
Transcritical CO2	Yes
Fruit and vegetable warehouse	Yes
Gas concentration	Yes

## TECHNICAL DATA

Power supply	230 VAC
CO2 alarm limit value	1,5 %
Accuracy of the alarm limit	±0,1%
Alarm	75dB at 1m
Consumption	max. 3W
Dimensions	195 x 80 x 68 mm (L x l x P)
Operating conditions	
Temperature	-25 to 45°C
Humidity	splash-proof (IP54)

# ASSEMBLY DIAGRAMMS

## DC-CO2L detector operating mode



**Alarm threshold = 1.5% CO<sub>2</sub>**

Connections:

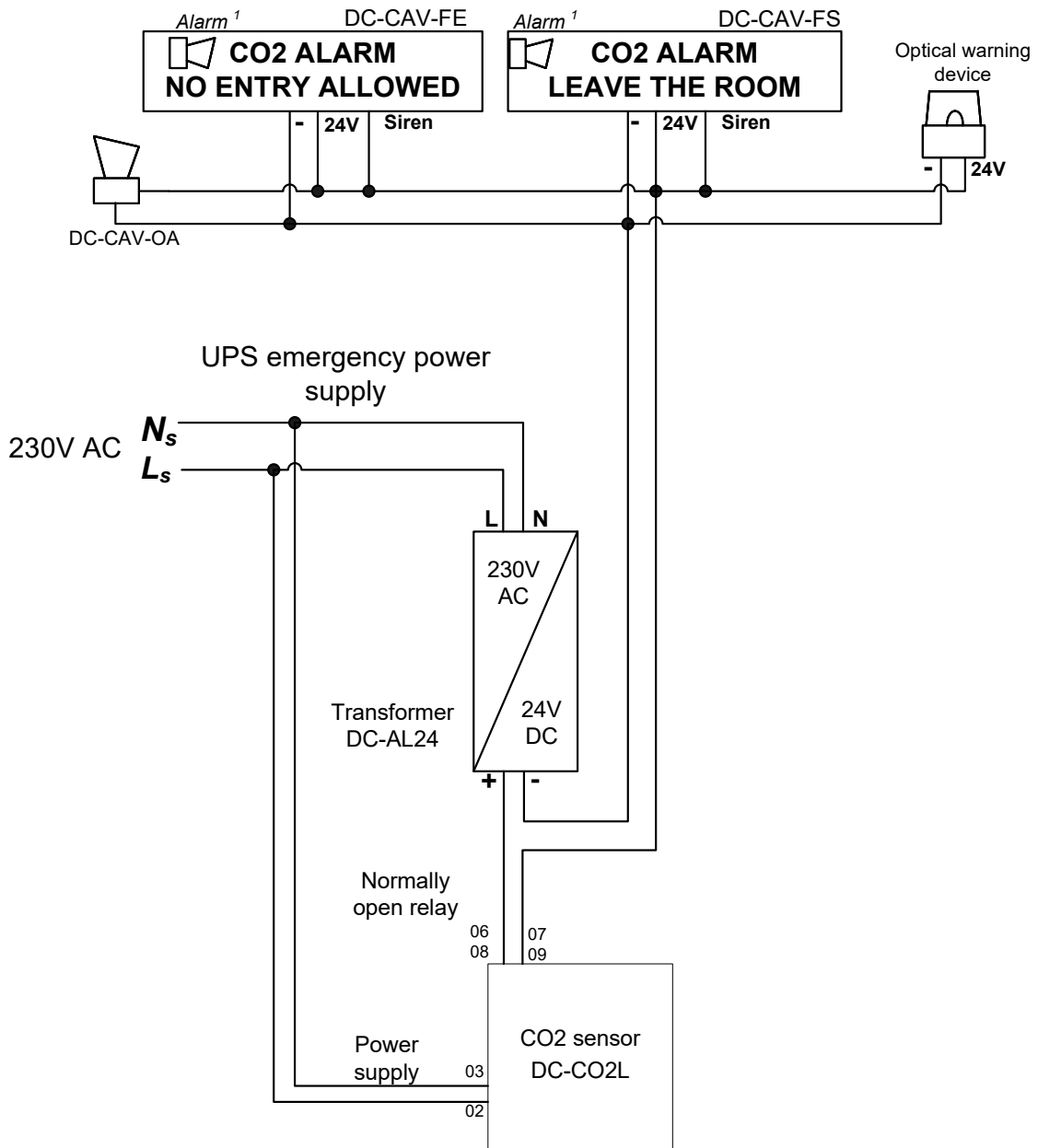
- 2 (N)-3(L) Power supply 230 VAC
- 04 – 05 Alarm relay. Normally closed. Opens in case of alarm or power failure
- 06 – 07 Alarm relay. Normally open. Closes in case of alarm or power failure
- 08 – 09 Alarm relay. Normally open. Closes in case of alarm or power failure

LED :

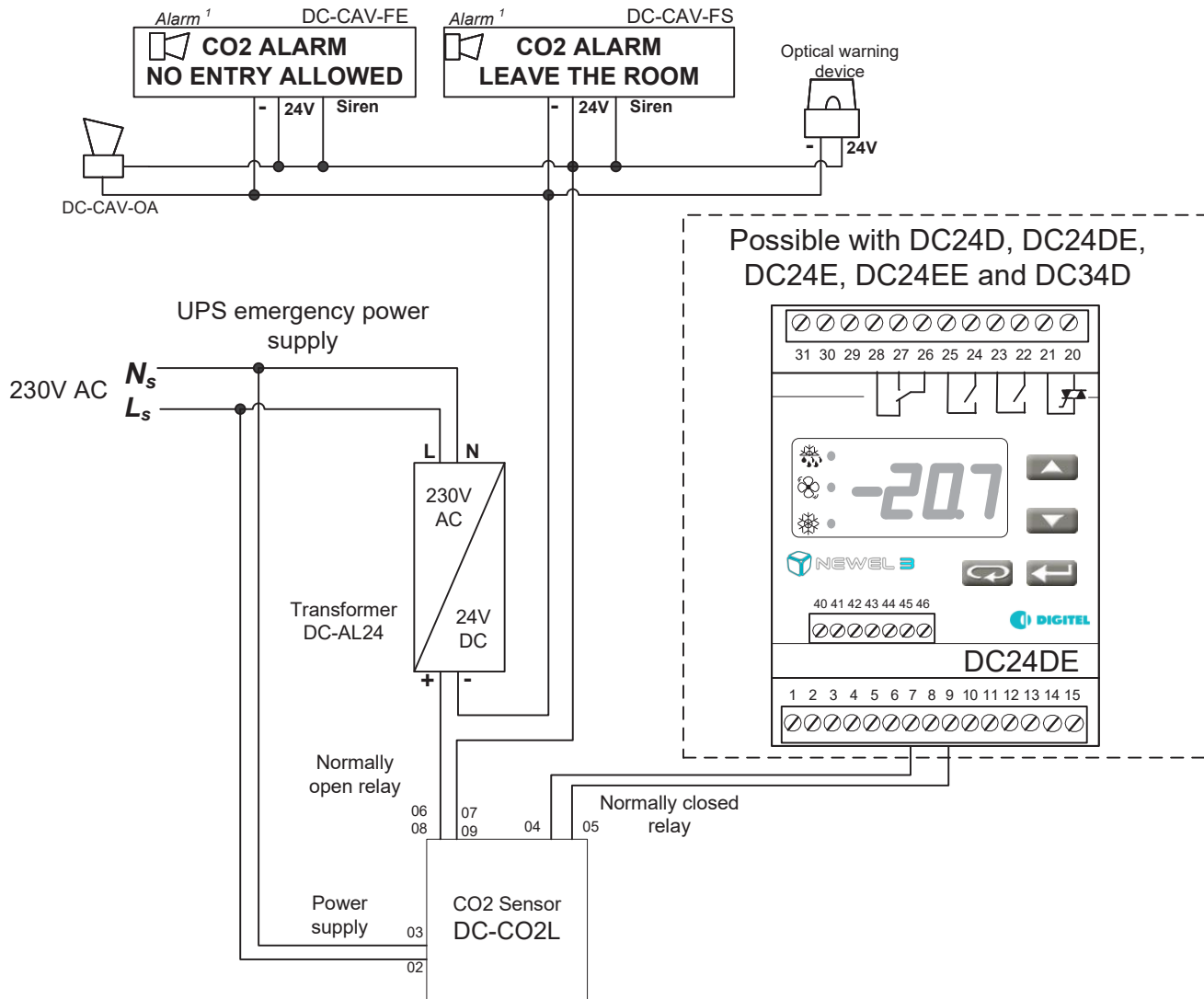
- PWR (Power) Flashes during heating and stays on continuously (green)
- A1, A2, A3 Lit continuously during alarm
- FLT Lit during sensor heating or internal fault (yellow)

A function test by qualified personnel is recommended at least once every 365 days.

DC-CO2L detector in autonomous mode (without remote management)



# DC-CO2L detector connected to the Digital control system for remote transmission of alarms



## About us

Digitel provides high-end control, monitoring and remote management solutions for installations requiring a high degree of performance: refrigeration, heat recovery, controlled atmosphere chamber, growth chamber or special and customized installations.

Digitel SA  
Route de Montheron 12  
1053 Cugy, Suisse

T: +41 21 731 07 60  
E : info@digitel.swiss

[www.digitel.swiss](http://www.digitel.swiss)