

## Signal converter

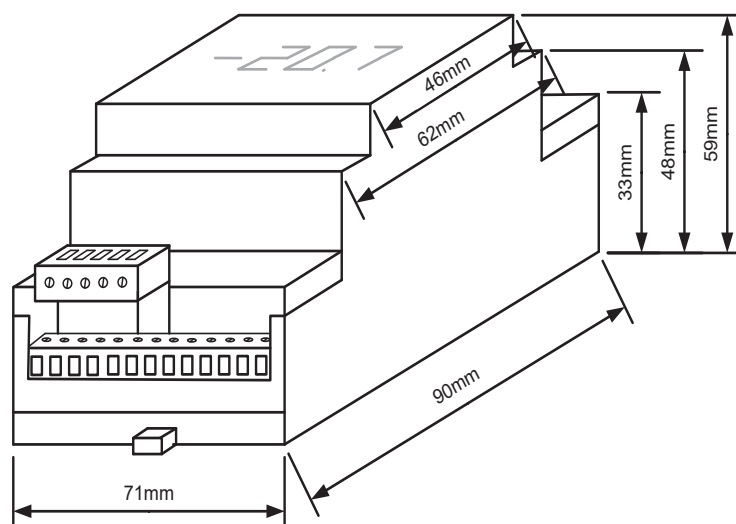


## APPLICATIONS

Transcritical CO2	yes
Heat recovery	yes
Compressors, condensers	yes

## DIMENSIONS

Module

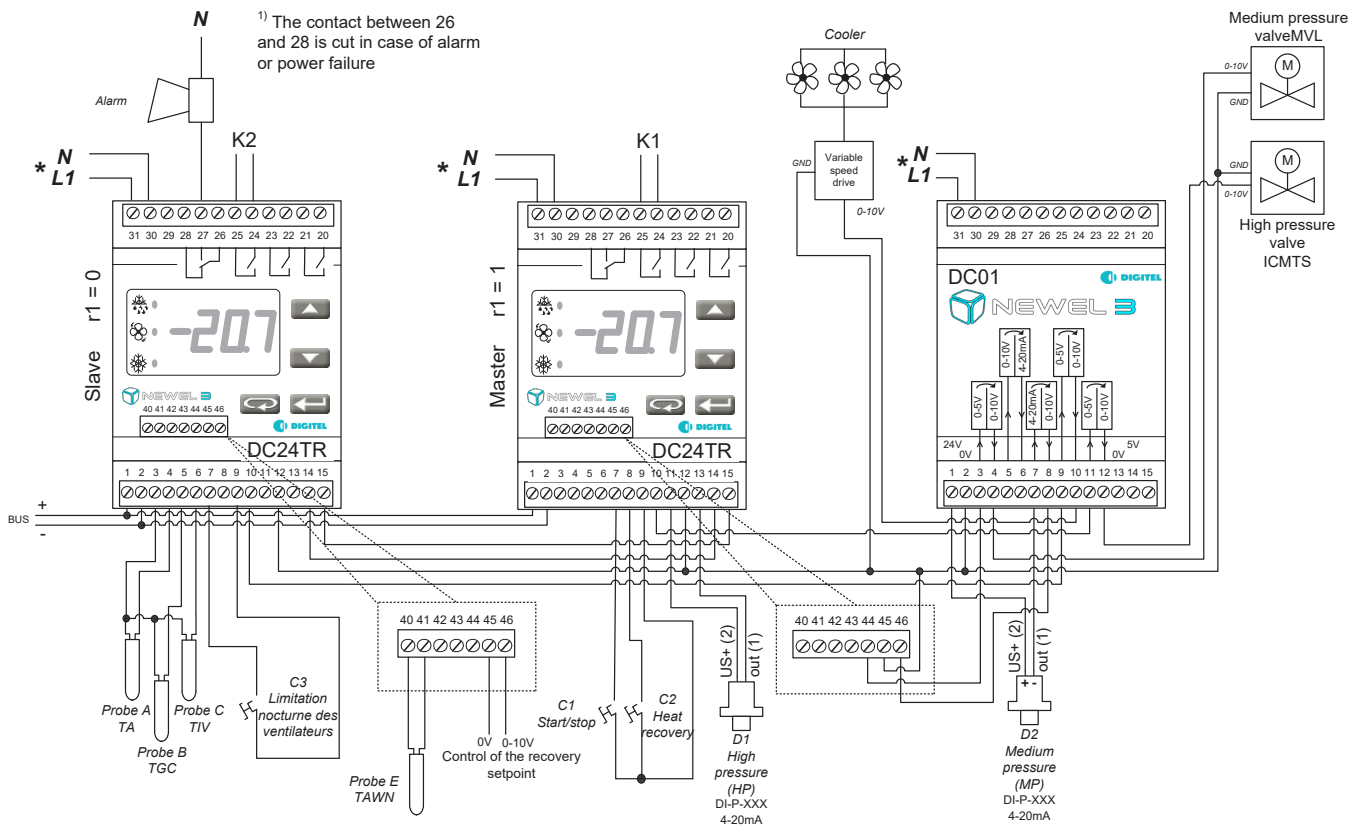



## FEATURES

Converter 0-5 V $\rightleftarrows$ 0-10 V	3
Converter 4-20 mA $\rightleftarrows$ 0-10 V	1
Converter 0-10 V $\rightleftarrows$ 4-20 mA	1

## ASSEMBLY DIAGRAMS

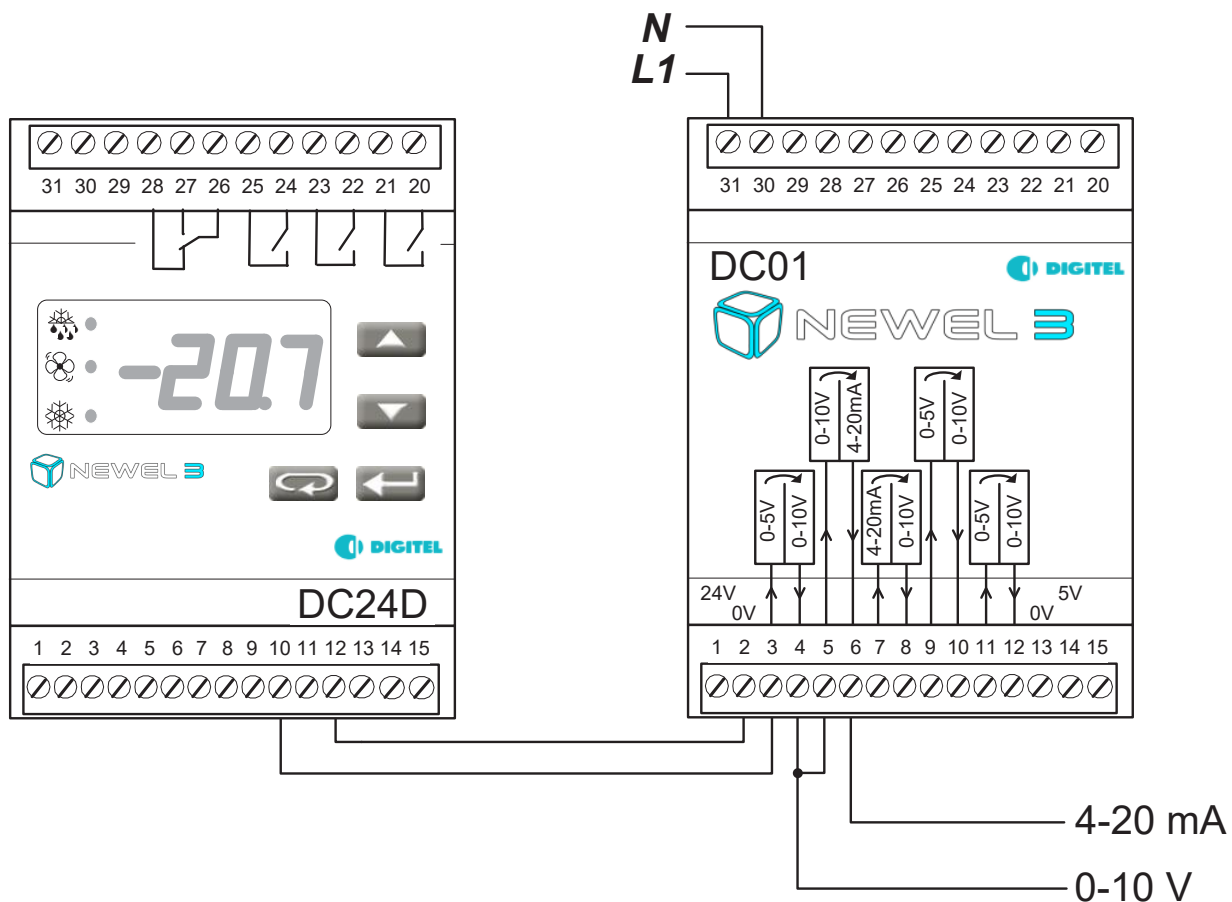
### DC01 converter coupled with DC24TR for transcritical CO2 control



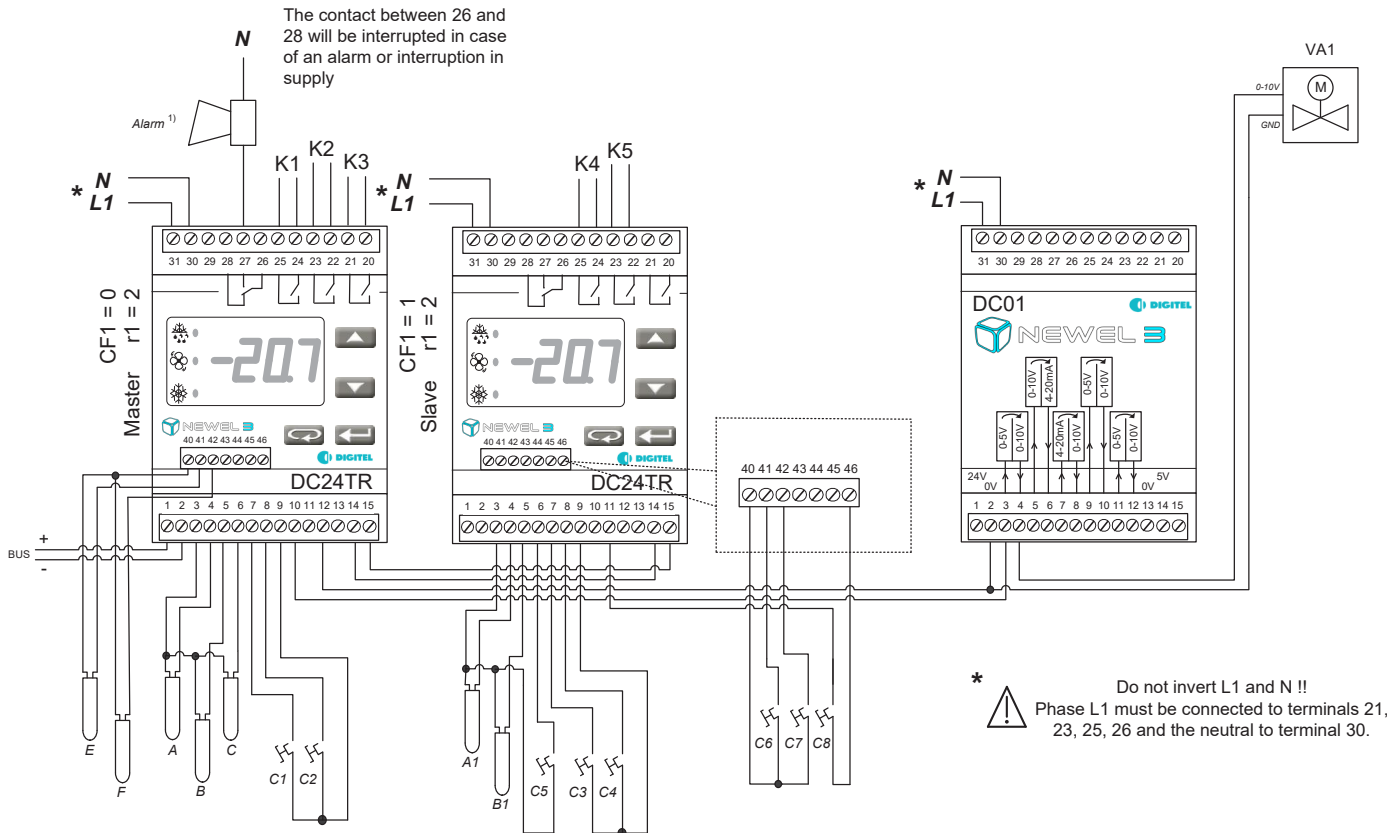
\*  Do not swap L1 and N!  
Phase L1 must be connected to terminals 21, 23, 25, 26 and neutral to terminal 30.

v1.7 / 21.06.2021

# DC01 converter coupled with DC24D/DE



# DC01 converter coupled with DC24TR for heat recovery control



\* Do not invert L1 and N !!  
Phase L1 must be connected to terminals 21, 23, 25, 26 and the neutral to terminal 30.

- Temperature probes:
- A1 Gas before exchanger
  - B1 Gas after exchanger
  - A Water after exchanger
  - B Upper portion of the tank
  - C Middle portion of the tank
  - E Lower portion of the tank
  - F Water before exchanger

- Digital inputs:
- C1 Compressor on
  - C2 Command recovery
  - C3 Switch off/auto
  - C4 Switch manual level 1
  - C5 Switch manual level 2
  - C6 Pump failure
  - C7 Pressure monitoring – CO2 leak
  - C8 Emergency cooling

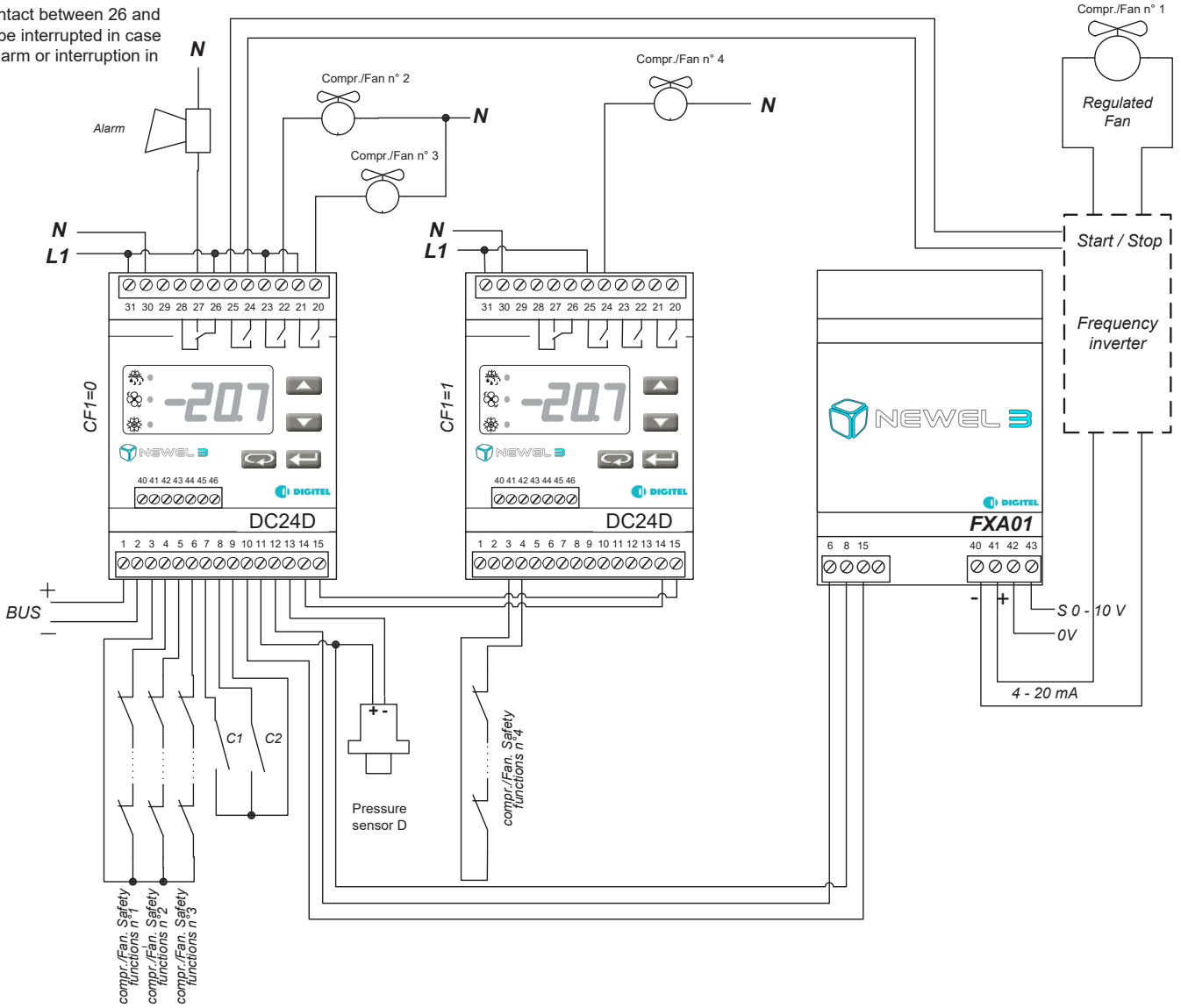
- TOR outputs:
- K1 Three-way valve recovery
  - K2 Pump
  - K3 Command Level 2
  - K4 Recovery system failure
  - K5 Bypassing recovery

- Analog output:
- Two-way water valve (0-10V)

V. 1.5      02.11.16

# Installations with variation of the frequency

The contact between 26 and 28 will be interrupted in case of an alarm or interruption in supply



## About us

Digitel provides high-end control, monitoring and remote management solutions for installations requiring a high degree of performance: refrigeration, heat recovery, controlled atmosphere chamber, growth chamber or special and customized installations.

Digitel SA  
Route de Montheron 12  
1053 Cugy, Suisse

T: +41 21 731 07 60  
E : info@digitel.swiss

[www.digitel.swiss](http://www.digitel.swiss)