

## Control for fruit and vegetable warehouses

DIN rail housing, display, 230 VAC power supply, 4 relay outputs, 5 PT1000 inputs, 1 0-10V input, bus interface, plug-in terminals.

The DC24FL module is a control unit that takes care of the temperature control and the control of up to 4 fans for applications such as fruit or vegetable warehouses.

Depending on the configuration and the nature of the stored goods, three different fan operating modes are natively available in the parameters:

- If there is no cooling demand and in order to stir the air, all fans are switched on,
- If there is no cooling demand and in order to stir the air, the fans are switched on one after the other,
- The fans only switch on when there is a cooling demand.

The module is mounted on DIN rails.

Humidity control can be done via an additional Digitel DC24D controller with a humidity sensor S3 (4-20mA output) or S3V (0-10V output).

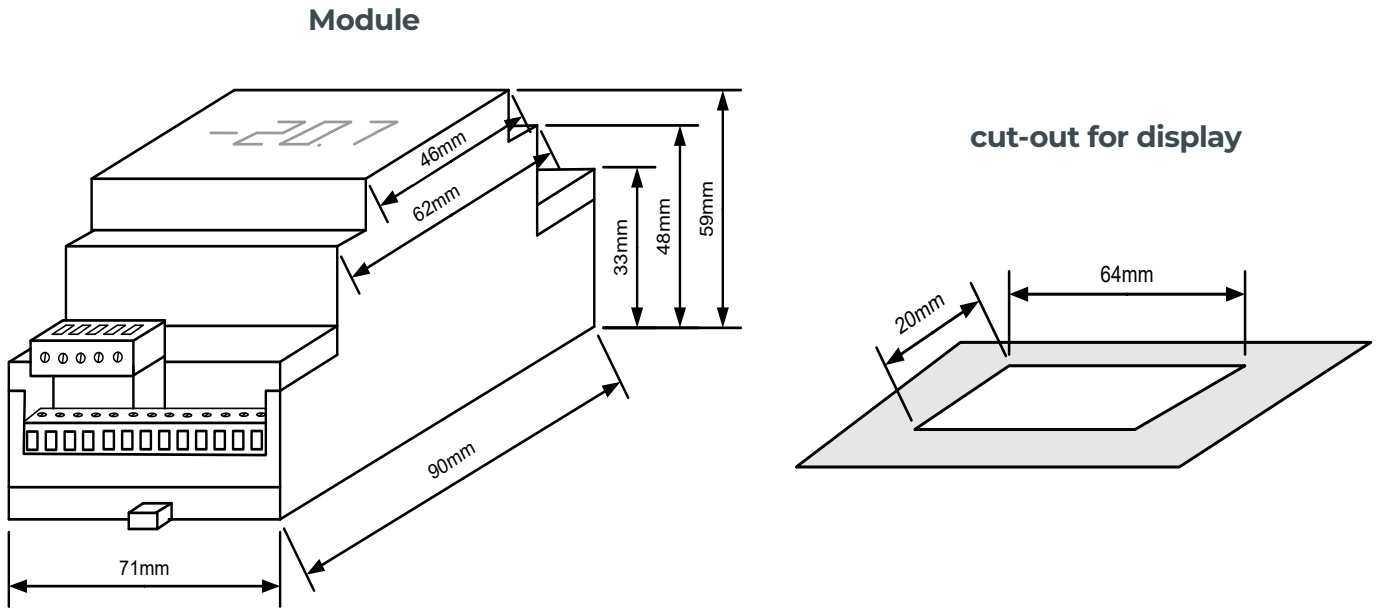
The concentration of gases, such as oxygen, carbon dioxide or nitrogen, can also be controlled by a Digitel DC24D controller.



## APPLICATIONS

Fruit and vegetable warehouses	yes
--------------------------------	-----

## DIMENSIONS



## FEATURES

### Inputs

PT 1000	5
0-10 V	yes
4-20 mA	yes
Digital	2

### Outputs

Relay	4
Analogue	yes

### Others

White display	yes
Power supply	230 VAC
Remote monitoring bus interface	yes
Clock	yes
Electronic expansion valve	no
Local bus for extensions	yes

## TECHNICAL DATA

### Power supply

Supply voltage 110-250 VAC, 50-60 Hz

Maximum input power 4 W

Protection rating 1

Contamination rating 2

Overvoltage category II

### Operating conditions

Temperature 0-40° C

Humidity 0-80% (without condensation)

Breaking capacity of relays outputs inductive load 6 A 250 VAC, resistive load 10 A 250 VAC

Clock – reserve operating margin 4 days

Input 0-10 V range of measurement: 0-10 V

Input 4-20 mA range of measurement: 4-20 mA

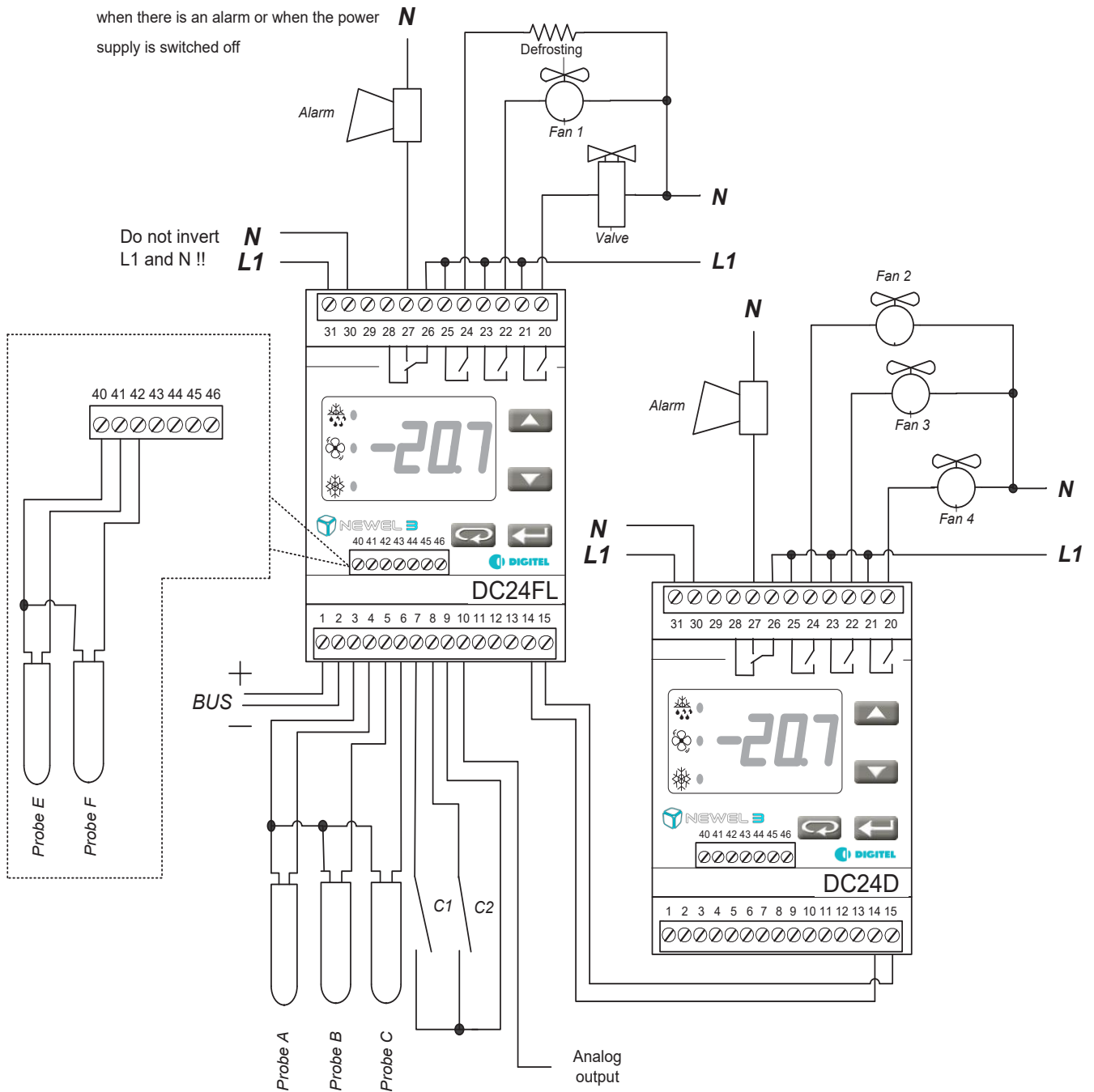
# ASSEMBLY DIAGRAMS

## DC24FL coupled with DC24D for the management of 4 fans

The main DC24FL module manages the cooling, while the secondary DC24D module manages fans 2, 3 and 4.

The DC24FL + DC24D pair can handle up to four fans. This meets the needs of large storage rooms for fruit or vegetables, where several fans are required.

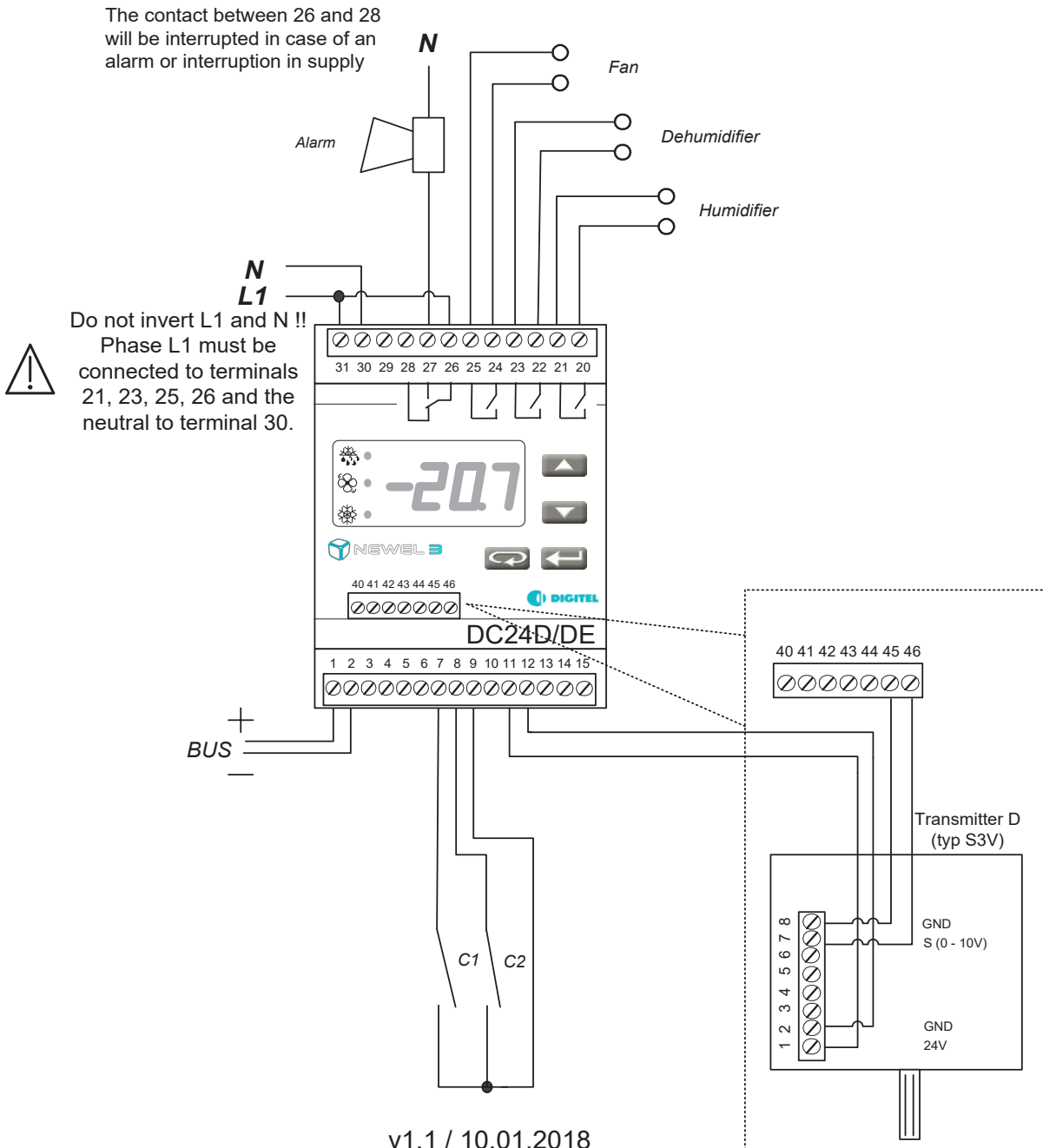
1) Contact between 26 and 28 is broken when there is an alarm or when the power supply is switched off



v. 1.0 / 18.06.2021

## Control of the humidity rate

Humidity management can be carried out via a third DC24D controller with an S3 humidity sensor (4-20mA output) or S3V (0-10V output).



### About us

Digitel provides high-end control, monitoring and remote management solutions for installations requiring a high degree of performance: refrigeration, heat recovery, controlled atmosphere chamber, growth chamber or special and customized installations.

Digitel SA  
Route de Montheron 12  
1053 Cugy, Suisse

T: +41 21 731 07 60  
E : info@digitel.swiss

[www.digitel.swiss](http://www.digitel.swiss)